



# NAVIGATOR™ *Portable Balances*



## ***Multi-Purpose Portable Balances Suitable for Everyday Weighing***

OHAUS raises the bar in price-performance ratio with the newly-designed Navigator series which is perfect for general weighing applications in laboratory, industrial and education settings. Ruggedly constructed and multifunctional, the Navigator is a powerful balance that can handle a diverse range of weighing applications with features such as fast stabilization time, overload protection at four times its rated capacity, and easy operation.

### ***Standard Features:***

- Navigator offers essential weighing applications at a competitive price point.
- Advanced weighing technology offers one-second stabilization for fast and accurate weighing results, improving operator efficiency, productivity and throughput.
- Overload protection system that can withstand loads up to four times the rated capacity safeguards the balance.

# NAVIGATOR™ Portable Balances

Model	NV222	NV422	NV622	NV221	NV621	NV1201	NV2201	NVT2201	NVT4201	NVT6201	NVT2200	NVT6200	NVT12000	NVT22000	
Capacity (g)	220	420	620	220	620	1200	2200	2200	4200	6200	2200	6200	12000	22000	
Readability (g)	0.01			0.1						1					
Span Calibration Mass (Not Included)	200		300	200	300	500	1000		2000	5000	1000	5000		10000	
Linearity Calibration Mass	100, 200 g	200, 400 g	300, 600 g	100, 200 g	300, 600 g	500 g, 1 kg	1 kg, 2 kg	1 kg, 2 kg	2 kg, 4 kg	3 kg, 6 kg	1 kg, 2 kg	3 kg, 6 kg	5 kg, 10 kg	10 kg, 20 kg	
Stabilization Time(s)	1	1.5		1			1.5			1					
Construction	ABS housing and stainless steel pan														
Calibration	User-selectable external span or linearity calibration / Digital with external weight														
Tare Range	Full capacity by subtraction														
Weighing Units	g, kg, N, oz, ozt, dwt, lb, lb:oz, ct, grain, tals (3), Tical, Tola														
Application Modes	Weighing, Parts Counting, Percent Weighing, Checkweighing														
Power Requirement	AC adapter (included) or 4 C batteries (not included)														
Typical Battery Life	270 hours														
Temperature Range	10 °C to 40 °C at 10% to 85% relative humidity, non-condensing														
Storage Conditions	-20 °C to 55 °C at 10% to 90% relative humidity, non-condensing														
Communication	RS232, USB, or Ethernet (available as accessories)														
Display Type	Liquid Crystal Display (LCD) with backlight														
Display Size	20 mm digits														
Pan Size (W × D)	Ø 145 mm			190 × 144 mm						230 × 174 mm					
Balance Dimensions (W × D × H)	204 × 230 × 70 mm						240 × 250 × 74 mm								
Shipping Dimensions (W × D × H)	300 × 250 × 134 mm						385 × 335 × 170 mm								
Net Weight	1 kg						1.5 kg								
Shipping Weight	1.5 kg						2.3 kg								

## Other Standard Features and Equipment

ABS housing, stainless steel pan, transportation lock, menu and calibration lockswitch, slip-resistant and adjustable feet, leveling bubble, mechanical and software overload/underload protection, stability indicator, low battery indicator, auto shut-off, user-selectable print options, user-selectable communication settings

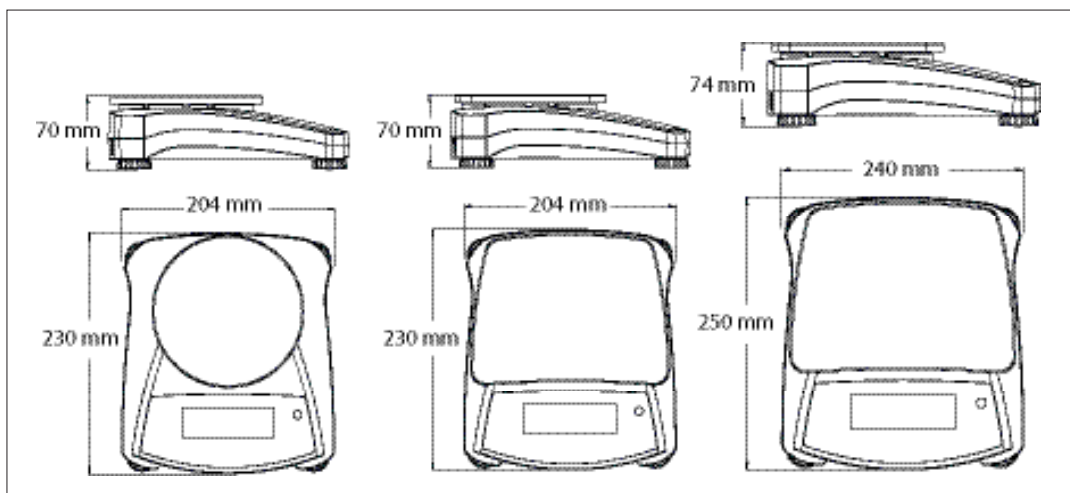
## Compliance

- **Product Safety:** IEC/EN 61010-1
- **Electromagnetic Compatibility:** IEC/EN 61326-1 Class B, Basic environments; FCC Part 15 Class B; Canada ICES-003 Class B
- **Compliance Marks:** CE; RCM

## Accessories

USB Interface.....	83032108	Adapter with plugs.....	30467987
RS232 Interface .....	83032107	Stacking Kit, ×1, NV .....	30467917
Ethernet Interface .....	83032109	Stacking Kit, ×4, NV .....	30467918
Rechargeable Battery Kit .....	83032106	Printer, SF40A, .....	30045641
Carrying Case .....	30467963		

## Dimensions



### OHAUS Asia/Pacific Headquarters

7F, Block 33, 680 Guiping Road  
Shanghai 200233  
China

e-mail: APmarketing@ohaus.com  
Tel: +86 21 64855408

[www.ohaus.com](http://www.ohaus.com)

The management system governing the manufacture of this product is ISO 9001:2015 certified.

SAP Literature #

