



RANGER® COUNT 2000

Counting Scales



Effective Counting Scales to Ensure Accurate Results

The multipurpose Ranger Count 2000 has all of the capabilities to produce precise results rapidly for a variety of applications. With weighing, parts counting, check counting, and accumulation functions, Ranger Count 2000 is the ideal scale to meet many industrial counting needs. Portable and equipped with a rechargeable battery, this scale is beneficial in every corner of the factory and is equipped with functions and features that elevate the Ranger Count 2000 to a class of its own.

Standard Features Include:

- **Precise Counting and Weighing Performance with 30 Item Library** — Accurate weighing and counting is assured with a high-resolution display, 10-item library function, and auto-optimization software that reduces errors.
- **The Most User Friendly Counting Scale on the Market** — Easy to use in multi-step counting operations. Features three backlit LCD displays, including a centrally located count display, and an easy-to-navigate menu.
- **Rapid Stabilization Provides Unmatched Throughput**—Eliminate waiting time and increase control of your operation with accurate one-second results!

RANGER® COUNT 2000 *Counting Scales*

Precise Counting and Weighing with 30 Item Library

The high resolution Ranger Count 2000 has a 1:30,000 display resolution and 1:600,000 internal counting resolution. It also features advanced auto-optimization software which recalculates the average piece weight as the overall weight increases, ensuring accuracy and minimizing counting errors. The Ranger Count 2000 also offers a 30 item library data storage function that can store 12-digit part numbers, average piece weights, checkcounting or checkweighing parameters, tare weights and accumulated weights or counts for quick and simple retrieval of frequently used data.



The Most User Friendly Counting Scale on the Market

The inviting display and navigation make Ranger Count 2000 extremely simple to use. The three-window backlit LCD display includes a centrally-located count display and weight and piece weight displays. Eight function keys, including dedicated SAMPLE and TARE keys, and full numeric keypad make setup and input operations simple and straightforward.

Rapid Stabilization

Ranger Count 2000 produces accurate results within one second. The rapid stabilization virtually eliminates your wait time and allows you to move at a pace determined by you and not your weighing equipment. Work with confidence that your results are accurate and will be displayed efficiently. Maximize your throughput without sacrificing accuracy with the Ranger Count 2000.



Standard RS232 for Easy Data Transfer

Standard RS232 offers a simple way to meet your data transfer needs.

Portability and Versatile Power Options

Say goodbye to being restricted to working only near power outlets! With its convenient carrying handle and rechargeable lead acid battery that can provide power for more than 210 hours, Ranger Count 2000 can provide many hours of uninterrupted operation in the area of your workspace that most conveniently fits your needs. It can also be powered through the easy connect power cord that takes up minimal space. Whether you utilize the easy connect power cord or power your scale with its rechargeable battery, you are guaranteed hours of uninterrupted operation.



Weigh Below Capability (Option)

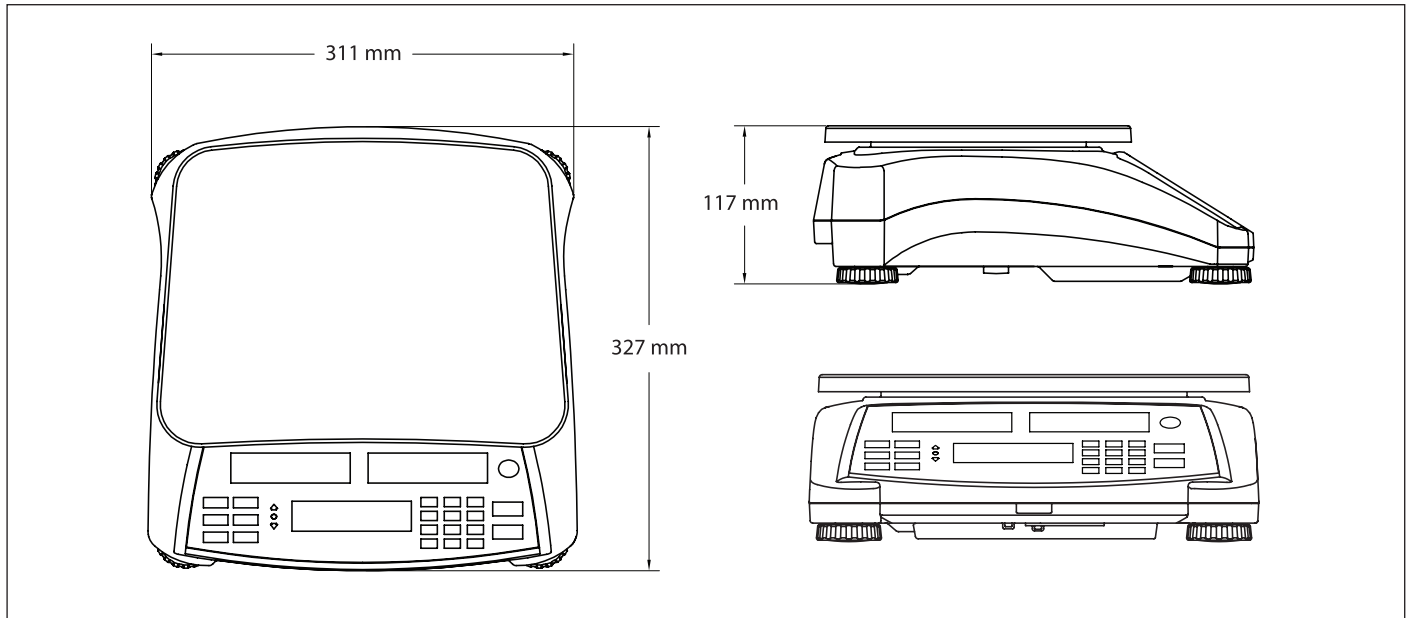
The easy-to-use and install weigh below hook offers the functionality to perform specific gravity tests. It can also be used to weigh items that cannot be easily lifted on to the weighing pan.



Application Modes

- **Weighing**—Determine the weight of items in the selected unit of measure.
- **Parts Counting**—Count samples of uniform weight.
- **Check Counting/Weighing**—Compare the Count/Weight of a sample against target limits.
- **Accumulation**—Totalization of weight and count. Calculates total accumulated weight and count of separate items

Outline Dimensions



RANGER® COUNT 2000 *Counting Scales*

Model	RC21P1502	RC21P3	RC21P6	RC21P15	RC21P30
Default Capacity × Readability	1.5 kg × 0.00005 kg 1500 g × 0.05 g	3 kg × 0.0001 kg 3000 g × 0.1 g	6 kg × 0.0002 kg 6000 g × 0.2 g	15 kg × 0.0005 kg 15000 g × 0.5 g	30 kg × 0.001 kg 30000 g × 1 g
Minimum Recommended Sample Weight	1 g	2 g	4 g	10 g	20 g
Minimum Recommended APW	0.005 g	0.01 g	0.02 g	0.05 g	0.1 g
Maximum Internal Counting Resolution	1:600,000				
Maximum Displayed Resolution	1:30000	1:30000	1:30000	1:30000	1:30000
Construction	Plastic pan with Stainless steel cover, plastic housing				
Weighing Units	kg, g, lb, oz, lb:oz				
Application Modes	Weighing, Parts Counting, Checkweighing, Checkcounting, Accumulation				
Display	3-Window, 26 mm high LCD display with white backlight, 6-digit, 7-segment				
Checkweighing Indicators	3 LED (yellow, green, red) with configurable operation and alert beeper				
Memory	30 item library				
Keypad	8 function, 12 numeric mechanical keys				
Zero Range	4% or 20% of full scale capacity				
Tare Range	Full capacity by subtraction				
Stabilization time	1 second				
Auto-Zero Tracking	Off, 0.5, 1 or 3 divisions				
Safe Overload Capacity	150% of capacity				
Power	220-240 VAC / 50-60 Hz internal transformer, internal rechargeable lead acid battery				
Battery Life	210 hours continuous use with 12 hour recharge time				
Calibration	External, with user-selectable calibration weight				
Interface	Built-in RS232				
Operating Temperature Range	-10° C to 40° C				
Pan Size (W × L)	300 × 225 mm				
Scale Dimensions (W × L × H)	311 × 327 × 117 mm				
Shipping Dimensions (W × L × H)	397 × 447 × 195 mm				
Net Weight	3.9 kg				
Shipping Weight	5.15 kg				

Other Standard Features and Equipment

Auto tare, APW Auto-Optimization, transportation handle, numeric keypad, sealed front panel, menu lockswitch, up front level indicator, adjustable leveling feet, selectable environmental and auto-print settings, stability indicator, overload and underload indicators, low battery indicator, auto shut-off, auto tare

Accessories

Weigh Below Hook	30037450
In Use Cover	30037451
Stainless Steel Platform	30037452
SF40A Impact Printer	30045641

OHAUS Europe GmbH
Im Langacher 44
8606 Greifensee
Switzerland

e-mail: ssc@ohaus.com
Tel: 0041 22 567 53 19
e-mail: tsc@ohaus.com
Tel: 0041 22 567 53 20

www.ohaus.com
*OHAUS Corporation is an
ISO 9001:2008 manufacturer*

ISO 9001:2008
Registered Quality
Management System

