



# Valor<sup>®</sup> 1000

Compact Precision Scales



## *Economical, multipurpose weighing in a compact scale*

OHAUS Valor 1000 precision scales are an economical choice for your basic weighing needs. Standard software includes checkweighing mode, accumulation mode and multiple units of measure. Valor 1000 scales feature a removable stainless steel weighing platform, and a mid profile ABS plastic housing with leveling adjustment. Each scale also comes standard with a long lasting internal rechargeable battery for ultimate portability and convenience.

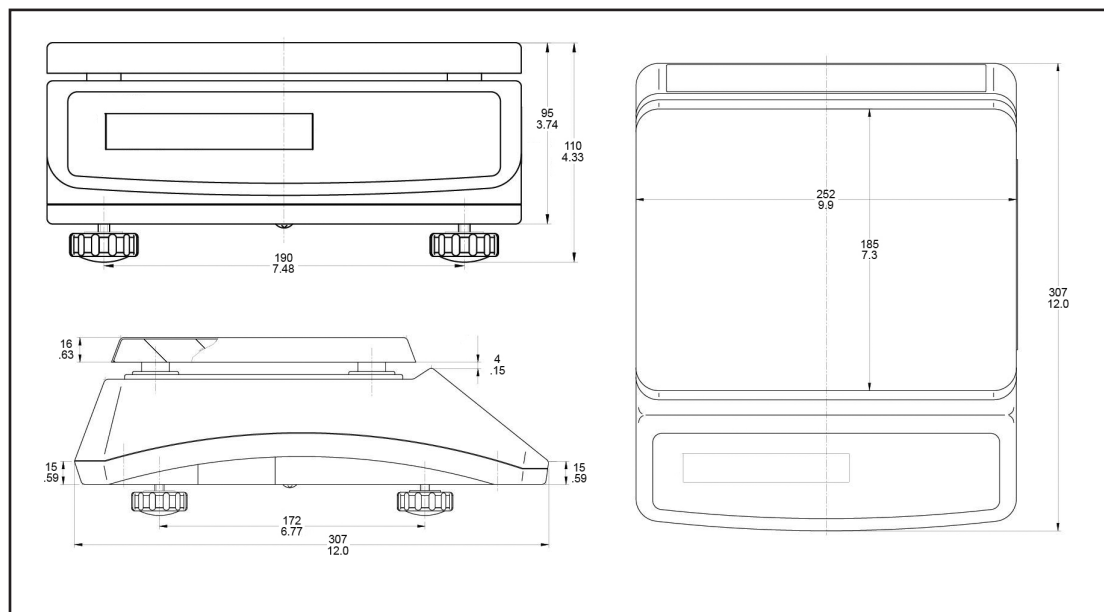
### *Standard Features Include:*

- **Ergonomic design** – Compact footprint, large removable stainless pan with a bright, easy to read backlit LCD & audible beeps
- **Solid performance** – Fast response time, leveling capability standard, and precision resolutions up to 7,500d
- **Friendly operation** – Easy to clean and transport. Included long-life internal rechargeable battery with standard AC power adapter and user selectable auto shut off backlight

# Valor<sup>®</sup>1000 Compact Precision Scales

Model	V11P3	V11P6	V11P15	V11P30
Capacity x Readability	3kg x 0.5g	6kg x 1g	15kg x 2g	30kg x 5g
Weigh Units	kilograms, pounds, grams, ounces			
Modes	Weigh, accumulate, checkweigh			
Keyboard	Four mechanical switches (right)			
Calibration	Digital external span calibration			
Display Type	6-digit 7-segment LCD with blue LED backlight, 20 mm height			
Display Indicators	Center of zero, stability, net, sum, over/accept/under check, weighing unit and battery charge status			
Tare Range	To capacity by subtraction			
Stabilization Time	<=3 seconds			
Auto Zero Tracking	User selectable from 0.1d to 2d			
Operating Temp / Humidity	0°C to 40°C at 10% to 95% relative humidity Non-condensing, up to 4000m above sea level			
Power	9 VDC 500 mA AC adapter (supplied) Internal rechargeable sealed lead acid battery			
Typical battery Life	80/100 hours (with / without backlight on) with 12-hour recharge time			
Construction	ABS plastic housing, stainless steel pan			
Safe Overload	120% of capacity			
Scale Dimensions (mm)	250w x 307d x 110h			
Pan Size (mm)	250w x 180d			
Carton Dimensions (mm)	340w x 160d x 300h			
Net Weight (kg)	3.2			
Shipping Weight (kg)	4.0			

## Outline Dimensions



## Standard Features

Internal rechargeable battery with dynamic charge status, removable stainless steel pan, digital external calibration software, selectable environmental settings, fast stabilization, integrated level bubble and adjustable feet, bright backlit display with selectable Auto-Off, selectable weighing unit, included AC power adapter

## Approvals

- **Electrical/Emissions:** CE listed, meets AS/NZS4251.1 Emission/AS/NZS4252.1 Immunity, FCC Class A Part 15 operation, Industry Canada Class A. cULus AC power pack.  
Compliant to Directive 2002/96/EC on waste electrical and electronic equipment (WEEE)
- **Quality:** Ohaus quality management system registered to ISO 9001:2008

**OHAUS Europe GmbH**  
Im Langacher 44  
8606 Greifensee  
Switzerland

e-mail: [ssc@ohaus.com](mailto:ssc@ohaus.com)  
Tel: 0041 22 567 53 19  
e-mail: [tsc@ohaus.com](mailto:tsc@ohaus.com)  
Tel: 0041 22 567 53 20

**www.ohaus.com**  
*With offices throughout Europe,  
Asia, and Latin America*

**ISO 9001:2008**  
Registered Quality  
Management System

